



# Cleanroom-rated Overhead Ionizing Blower

## GUARDIAN CR2000

Simco-Ion's Guardian CR2000 Cleanroom-rated Overhead Ionizing Blower is designed specifically for use in cleanroom applications. The Guardian CR2000 features a circuit that results in a balanced delivery of positive and negative ions, which ensures that the unit will maintain an ion balance of  $0 \pm 10V$ . Balance stability is further enhanced by the use of Simco-Ion's unique "ion shields" at the fan outputs to reduce parasitic ion loss.

The Guardian CR2000 ensures cleanroom compatibility with all fan and air-bearing silicone-free surfaces. Fan assemblies are particle-tested to ISO 14644-1 Class 4 particle limits.

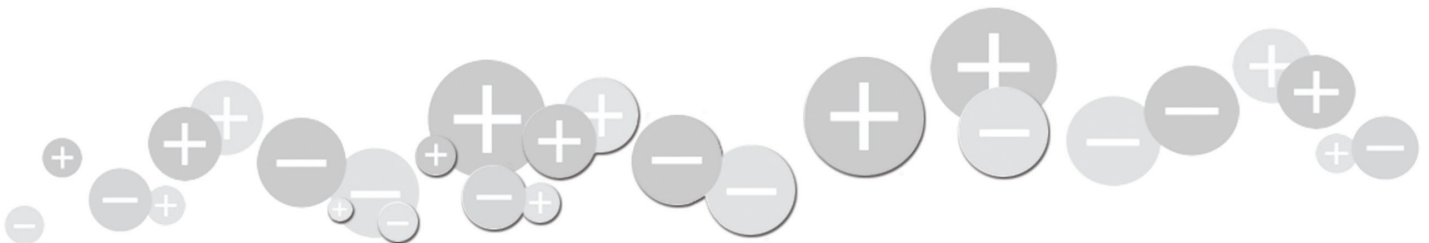
The Guardian CR2000 is also equipped with Simco-Ion's built-in emitter point cleaner. A lockout switch prevents tampering with the desired performance level. Built-in balance and ion output monitors verify the presence of balanced, ionized air. A standard power outlet on each Guardian CR2000 blower allows for daisy-chaining up to 10 units.



### Features

- Inherently balanced to  $0 \pm 10V$
- Ion balance and ion output monitors
- Lockout key switch
- Silicone-free component surfaces
- Integrated emitter point cleaner

### Benefits

- Protects even the most sensitive electronic components
- Verifies that the unit is ionizing and balanced
- Helps maintain desired ionization performance level
- ISO 14644-1 Class 4 cleanroom compatibility
- Provides fast, easy maintenance

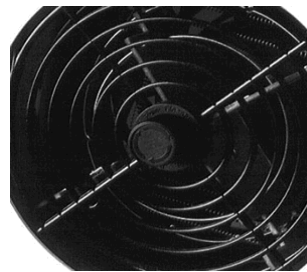


Guardian CR2000	
<b>Input Voltage</b>	2-fan: 120 VAC, 50/60 Hz, 0.2A; 230 VAC, 50/60 Hz, 0.1A 3-fan: 120 VAC, 50/60 Hz, 0.5A; 230 VAC, 50/60 Hz, 0.25A
<b>Discharge<sup>1</sup></b>	3.0 sec @ 18" (45.7 cm); 1000-100V fan high
<b>Balance</b>	0 ±10V
<b>Coverage</b>	2-fan: 2' x 3' (61.0 x 91.0 cm) area; 3-fan: 2' x 4' (61.0 x 122 cm)
<b>Ion Emission</b>	AC Technology
<b>Emitter</b>	Stainless Steel
<b>Cleanroom Class</b>	ISO 14644-1 Class 4
<b>LED Indicator</b>	Ionization Status: green NORMAL, red MAINTENANCE
<b>Control</b>	3-position key switch OFF, ADJUSTABLE, HIGH; recessed fan speed control
<b>Air Supply</b>	Volume: 2-fan: 90 cfm fan low, 180 cfm high fan; 3-fan: 135 cfm fan low, 270 cfm high fan Speed: 200 fpm (1.0 m/s) fan low; 400 fpm (2.0 m/s) fan high measured @ 18" (45.7 cm)
<b>Audible Noise</b>	48 dBA fan low; 58 dBA fan high measured @ 24" (61.0 cm)
<b>Ozone</b>	0.02 ppm measured @ 18" (45.7 cm) above test plate
<b>Operating Env</b>	32-122°F (0-50°C); 30-70% RH, non-condensing
<b>Mounting</b>	Adjustable brackets and 5 hooks provided
<b>Enclosure</b>	Aluminum with glossy white polyurethane finish
<b>Dimension</b>	2-fan: 31.75"W x 4.75"H x 6.75"D (80.6 x 12.1 x 17.1 cm) with bracket 3-fan: 42.75"W x 4.75"H x 6.75"D (108.6 x 12.1 x 17.1 cm) with bracket
<b>Weight</b>	2-fan: 12 lb (5.44 kg); 3-fan: 15 lb (6.80 kg)
<b>Warranty</b>	Two year limited warranty
<b>Certification</b>	 

1. Tested in accordance with ANSI/ESD STM3.1-2015.

## Emitter Point Cleaner

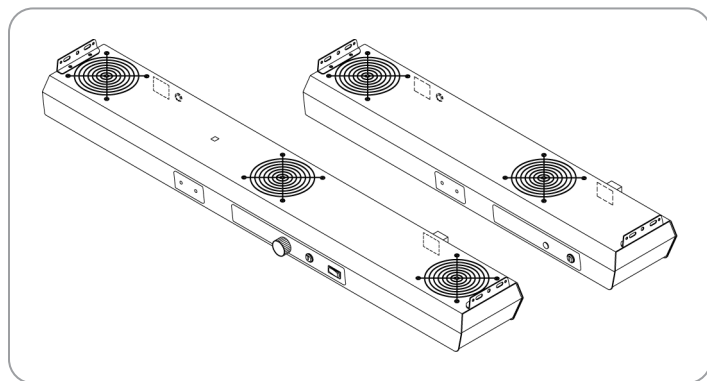
The Guardian CR2000 features a built-in emitter point cleaner for each fan. Using the emitter point cleaner takes only seconds. Cleaning the emitter points prevents the build-up of airborne debris. This keeps your Guardian CR2000 working in top form for the life of the unit.



## Application-specific Blower Lengths

The Guardian CR2000 Overhead Ionizing Blower comes in either 2-fan or 3-fan chassis lengths. Each length is designed for optimal coverage area and for variety of applications:

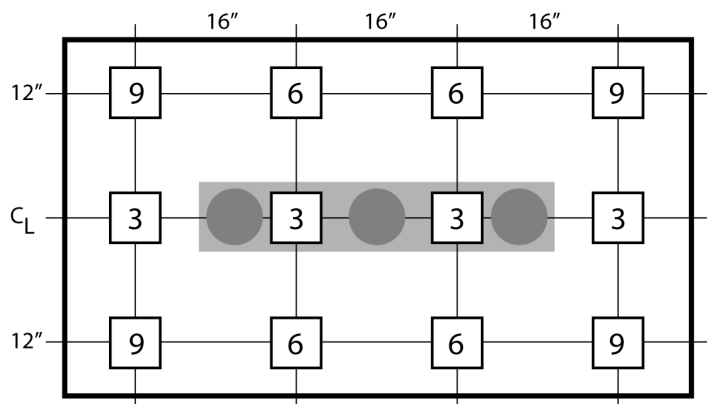
- A 2-fan overhead blower will provide coverage for a 2-foot by 3-foot area
- A 3-fan overhead blower covers a 2-foot by 4-foot area



## Ordering Information

4008729	Guardian CR2000 2-fan, 120V, 60 Hz, UL, North America
4008730	Guardian CR2000 2-fan, 230V, 50 Hz, Continental Europe
4008804	Guardian CR2000 2-fan, 230V, 50 Hz, United Kingdom
4008630	Guardian CR2000 3-fan, 120V, 60 Hz, UL, North America
4008705	Guardian CR2000 3-fan, 230V, 50 Hz, Continental Europe
4008805	Guardian CR2000 3-fan, 230V, 50 Hz, United Kingdom
5050542	Overhead Blower Daisy-chain Kit, 10' power cord

## Discharge Time Performance



CPM test plate 6" from table; discharge times slightly longer for 230 VAC, 50 Hz unit.